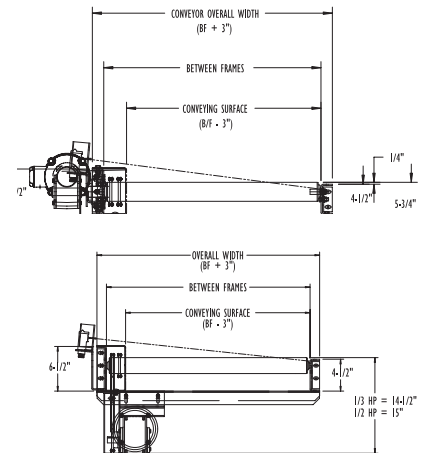


# SZD192CDA | MEDIUM DUTY CHAIN DRIVEN ZERO PRESSURE ACCUMULATOR

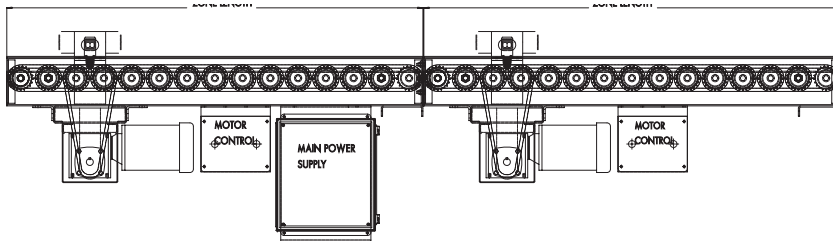


SZD192CDA SMART ZONE® is a medium duty roll-to-roll chain driven zero pressure accumulator, designed to safely accumulate medium duty loads in 5' zones. Roach SMART ZONE® incorporates photo electric sensors to detect product loads instead of sensor rollers which eliminates many problems associated with sensor rollers. Products do not touch during accumulation and are singulated individually off of conveyor. SMART ZONE® is easy to install and simple to maintain.

## DRIVE OPERATED ZONES



SZD192CDA UNDERNEATH DRIVE



## SMART ZONE:

Retroflective photo eyes include a 24V DC power supply operated by a 110V AC input.

## SPECIFICATIONS

- ▶ **TREAD ROLLERS:** 1.9" dia. x 12 ga., model 192S.
- ▶ **CHAIN DRIVE:** Roller-to-roller No. 40 roller chain. Zone-to-zone No. 60 roller chain.
- ▶ **CHAIN GUARD:** All chains are completely enclosed along the entire length of conveyor.
- ▶ **CENTER DRIVE:** Drive either side mounted or underside mounted (specify). Drive shafts are supported by precision, heavy duty, lubricated, ball bearing units.
- ▶ **ROLLER CENTERS:** 4" or 6" RC ONLY.
- ▶ **SPEED:** 35 FPM, constant.
- ▶ **ACCUMULATION ZONE:** 5'-0" zone lengths, zone singulation operation, photo electric sensor controlled zones with separate drives on each zone.
- ▶ **BED:** 6-1/2" x 1-1/2" x 10 ga. and 4-1/2" x 1-1/2" x 10 ga. formed steel channel frame. Bed sections are bolted together with butt couplings and floor supports.
- ▶ **BEARINGS:** Removable type, heavy duty ball bearings, zinc-plated, grease packed, labyrinth seal.
- ▶ **MOTOR DRIVE:** 1/2 HP, 230/460/3, 60 cycle, Super "E" right angle gear motor.
- ▶ **CAPACITY:** 300 lbs./ft. up to a maximum of 1200 lb. pallet load.

**SPECIFICATION TABLE**

■ 6 week shipment

CONVEYOR LENGTH		10'	20'	30'	40'	50'	60'	70'	80'	90'	100'
BF	Conv. Surface	UNIT WEIGHTS (lbs.) with 4" Roller Centers									
15"	12"	761	1341	1922	2502	3083	3663	4244	4824	5405	5986
21"	18"	832	1476	2119	2762	3406	4049	4692	5336	5979	6622
27"	24"	922	1646	2369	3093	3816	4539	5262	5977	6706	7435
33"	30"	998	1802	2598	3393	4189	4985	5780	6582	7379	8176
39"	36"	1075	1929	2784	3638	4493	5347	6202	7056	7915	8774
45"	42"	1156	2081	3007	3932	4857	5783	6709	7634	8568	9502
51"	48"	1226	2213	3199	4186	5173	6159	7146	8133	9132	10131
UNIT WEIGHTS (lbs.) with 6" roller centers											
15"	12"	711	1241	1772	2302	2833	3363	3894	4424	4955	5486
21"	18"	772	1356	1939	2522	3106	3680	4272	4856	5439	6022
27"	24"	842	1486	2129	2773	3416	4059	4702	5337	5986	6635
33"	30"	898	1602	2298	2993	3689	4385	5080	5789	6479	7176
39"	36"	965	1709	2454	3198	3943	4687	5432	6176	6925	7674
45"	42"	1026	1821	2617	3412	4207	5003	5799	6594	7398	8202
51"	48"	1086	1933	2779	3626	4473	5319	6166	7013	7872	8731

**OPTIONAL EQUIPMENT**

- ▶ **ZONE LENGTHS:** 3' through 10' in 4" or 6" increments as per roller centers and zone chain pitch. Frame lengths will vary with zone lengths.
- ▶ **BED:** 6-1/2" x 1-1/2" x 7 ga. and 4-1/2" x 1-1/2" x 7 ga. formed steel channel frame.
- ▶ **TREAD ROLLERS:** 1.9" dia. x 9 ga. steel, model 199S tread rollers.

- ▶ **FLOOR SUPPORTS:** Conveyor shown with optional supports. Supports, knee braces, casters and polytier supports available. See Conveyor Accessories.
  - ▶ **SPEED:** Constant speed 20-120 FPM; DC variable speed; AC inverter variable speed. Other constant or variable speeds available. Minimum unit speed is 20 FPM for model CDA.
- NOTE:** CAPACITY CHANGES WITH SPEED.

- ▶ **MOTORS:** Available through 3 HP in Super "E", explosion proof, dirty duty, brake motor, 115/230/1, 575/3, etc.
- ▶ **DEFUSED SMARTZONE:** Photoeyes mounted below tread rollers.